

# Lutz Flow Meter Program

The Reasonable: Lutz flow meter TR



## Easy handling

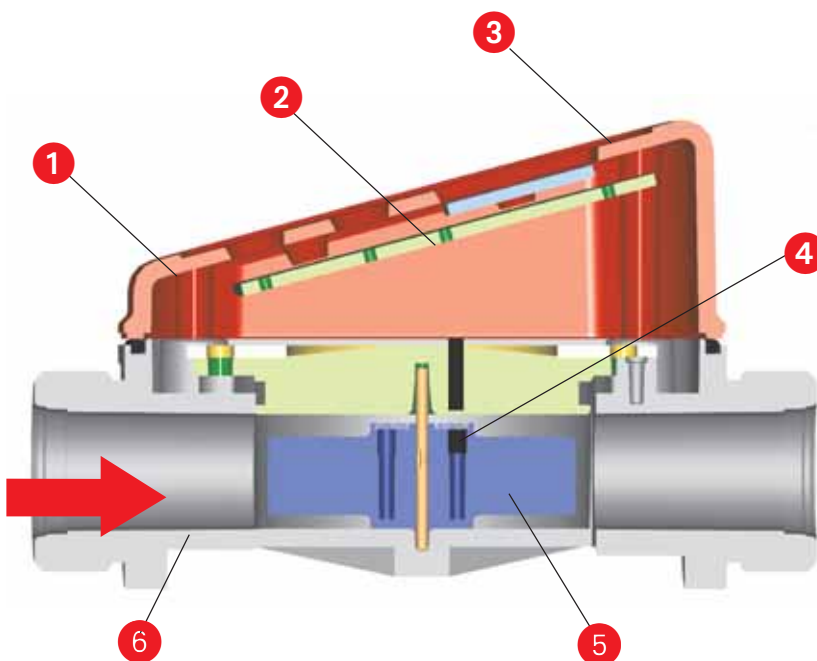
Easy handling, compact built and a quick assemble to all drum and container pumps: The Lutz flow meter TR in PP or PVDF. A manageable meter which you can count on in all situations. This flow meter measures accurately thin-bodied, non-flammable liquids.

## The Advantages:

- ✓ Measurement by radial turbine technology
- ✓ Can be combined with all drum and container pumps
- ✓ For thin-bodied, non-flammable liquids
- ✓ Available in PP or PVDF
- ✓ Total gallon instantly displayed
- ✓ Displays both sub-total and total volume
- ✓ Sub totals can be reset
- ✓ One fixed total volume and 4 resettable totals
- ✓ Easy calibration
- ✓ Durable lithium battery

## Instantly knowing total gallons transferred: How it works

Liquid passing through meter sets the turbine in motion initiating pulses magnetically transmitted to the electronics. Easy to read displays instantly shows totals. Due to minimal friction loss, the TR series is the optimal answer for low pressure pumps.



- 1 Housing top (POM)
- 2 PCB
- 3 Keypad foil
- 4 Magnet
- 5 Radial turbine (PP or PVDF)
- 6 Measuring chamber (PP or PVDF)

# The economical liquid volume measurement

The choice is yours



**PP for neutral and aggressive liquids**  
such as glycol, ferric (III) chloride, hydrochloric acid

**PVDF for highly aggressive fluids**  
such as chlorine solution, nitric acid, sulphuric acid

## Instant action - A complete system

Lutz offers you a complete system for light duty applications. System consists of: drum pump B2 in polypropylene, flow meter TR50-PP, wall bracket, discharge spout, 5 ft PVC-hose and nozzle.

## Installed in no time!

The TR series flow meter can be combined with all drum and container pumps with the 3/4" or 1 1/4"-connection. Simply attach the union fitting - and it is ready for use.

Type		TR50-PP	TR120-PP	TR120-PVDF
<b>Material</b>	housing top	POM	POM	POM
<b>Material</b> (wetted parts)	measuring chamber	PP	PP	PVDF
	turbine	PP	PP	PVDF
	shaft	Hastelloy C4 (2.4610)	Hastelloy C4 (2.4610)	Hastelloy C4 (2.4610)
	seal	FPM (Viton®)	FPM (Viton®)	FPM (Viton®)
<b>Range of measurement</b>	GPM	2.6-10.6	5.3-31.7	5.3-31.7
<b>Range of viscosity</b>	cps	1-20	1-20	1-20
<b>Operating pressure</b>	psi	29 (at 68 °F)	29 (at 68 °F)	29 (at 68 °F)
<b>Accuracy of measurement</b>	%	± 1	± 1	± 1
<b>Connection</b>		3/4"	1 1/4"	1 1/4"
<b>Weight</b>	lbs.	0.51	0,51	0.8
<b>Range of temperature</b>	°F	14 up to 104	14 up to 104	14 up to 104
<b>Order No.</b>		<b>0213-000</b>	<b>0213-010</b>	<b>0213-020</b>
<b>Inline Fittings</b> 1 1/4 x 1" NPT Male (2 needed)		-	0213-119	0213-120